

Customer Name: _____

Address: _____

Phone #: _____

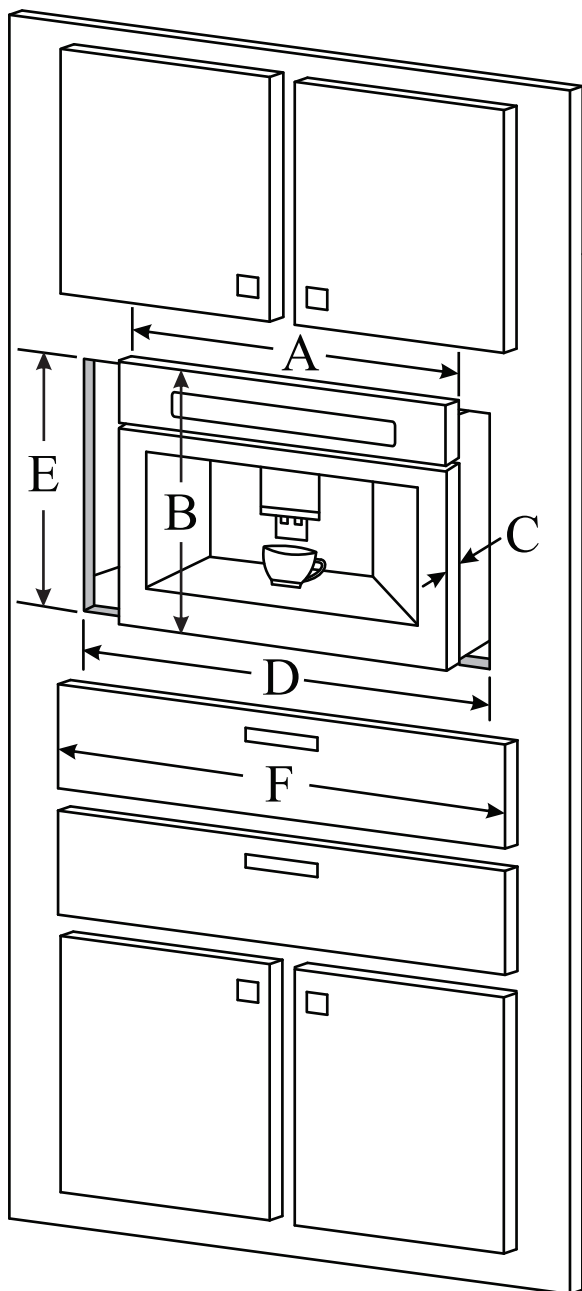
Email: _____

Coffee Maker or
Steam Oven Make: _____

Coffee Maker or
Steam Oven Make: _____
or just A dimension

SIDE EXTENSIONS

With Side Gaps



A _____

B _____

C _____

D _____

E _____

F _____

NOTE: Please be as accurate as possible when providing dimensions and provide as much information as possible.

Color: TRUE STAINLESS STEEL

Additional Information:

Dimension F is used to determine how wide the side extensions need to be in order to line up with the doors or drawers. If you do not want the overall width of our side extensions to match the width of the cabinet doors or drawers, what is your desired overall width? _____

Special Requests or Comments: _____