

Customer Name: \_\_\_\_\_

Address: \_\_\_\_\_

Phone: \_\_\_\_\_

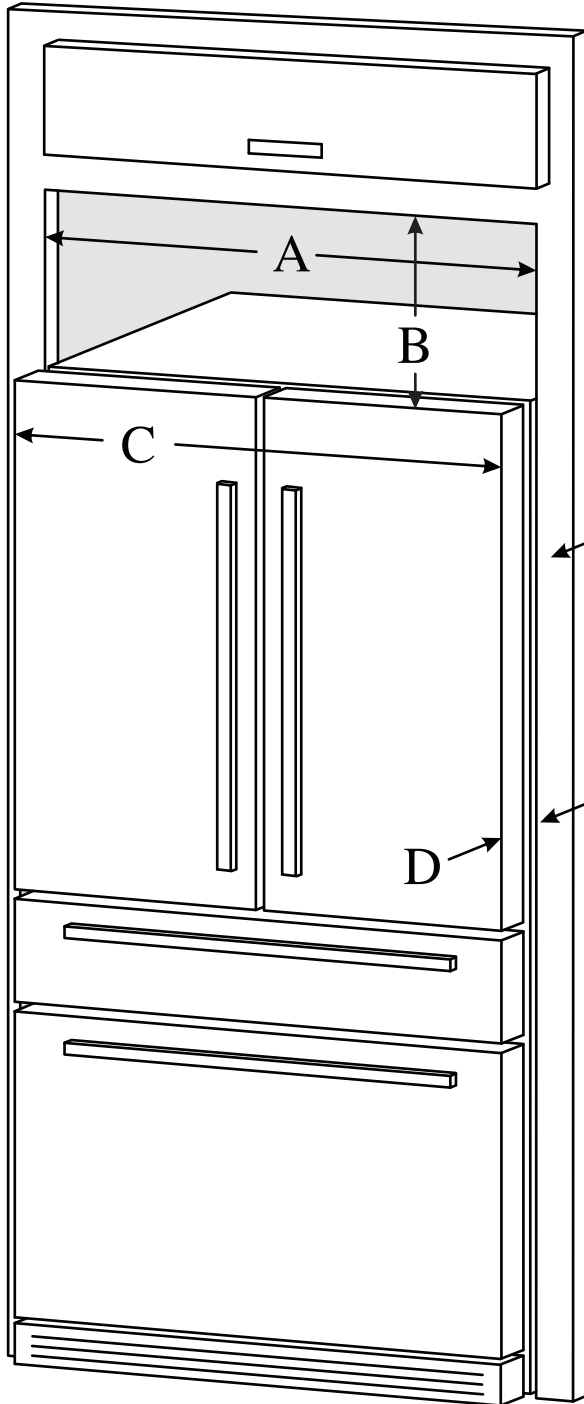
Email: \_\_\_\_\_

Refrigerator Make: \_\_\_\_\_

Refrigerator Model: \_\_\_\_\_

**REFRIGERATOR VENT**

No Side Gaps



Cabinet Face

Measure from door front to cabinet face

A \_\_\_\_\_

B \_\_\_\_\_

C \_\_\_\_\_

D \_\_\_\_\_

**NOTE:** 36" Refrigerators typically do not measure 36", physical measurements are required.

**NOTE:** Please be as accurate as possible when providing dimensions and provide as much information as possible.

**Color:** TRUE STAINLESS STEEL

\*Powder Coated Colors are available\*

**Special Requests or Comments:** \_\_\_\_\_

\_\_\_\_\_

\_\_\_\_\_

\_\_\_\_\_