

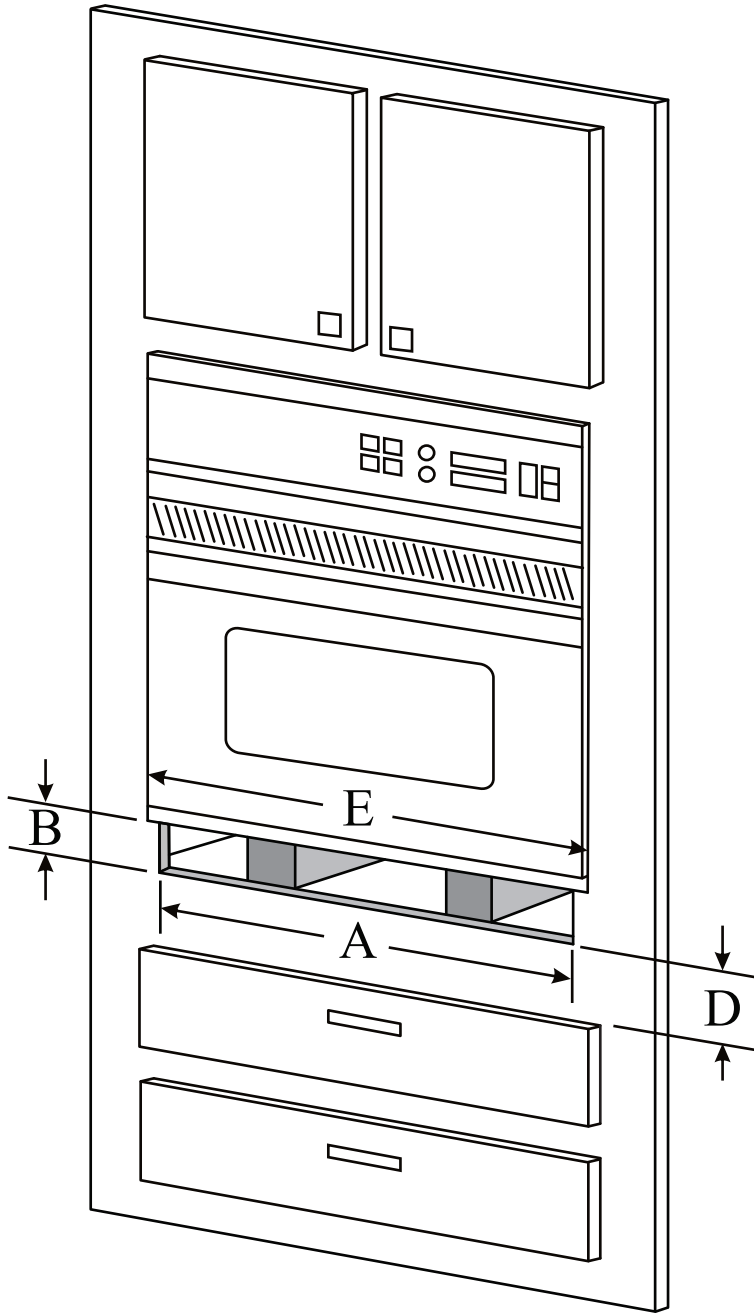
Customer Name: \_\_\_\_\_

Address: \_\_\_\_\_

Phone #: \_\_\_\_\_

Email: \_\_\_\_\_

### OVEN FILLER



Oven Make: \_\_\_\_\_

Oven Model: \_\_\_\_\_

A \_\_\_\_\_

B \_\_\_\_\_

D \_\_\_\_\_

E \_\_\_\_\_

**Color:**

STAINLESS FINISH  
(ANODIZED, BRUSHED  
ALUMINUM)

TRUE  
STAINLESS  
STEEL

WHITE

BLACK

**NOTE:** Please be accurate when providing dimensions and provide as much information as possible

**Special Requests or Comments:** \_\_\_\_\_

\_\_\_\_\_

\_\_\_\_\_

\_\_\_\_\_