

Company Name: _____

Salesman: _____

Job Name: _____

Phone: _____

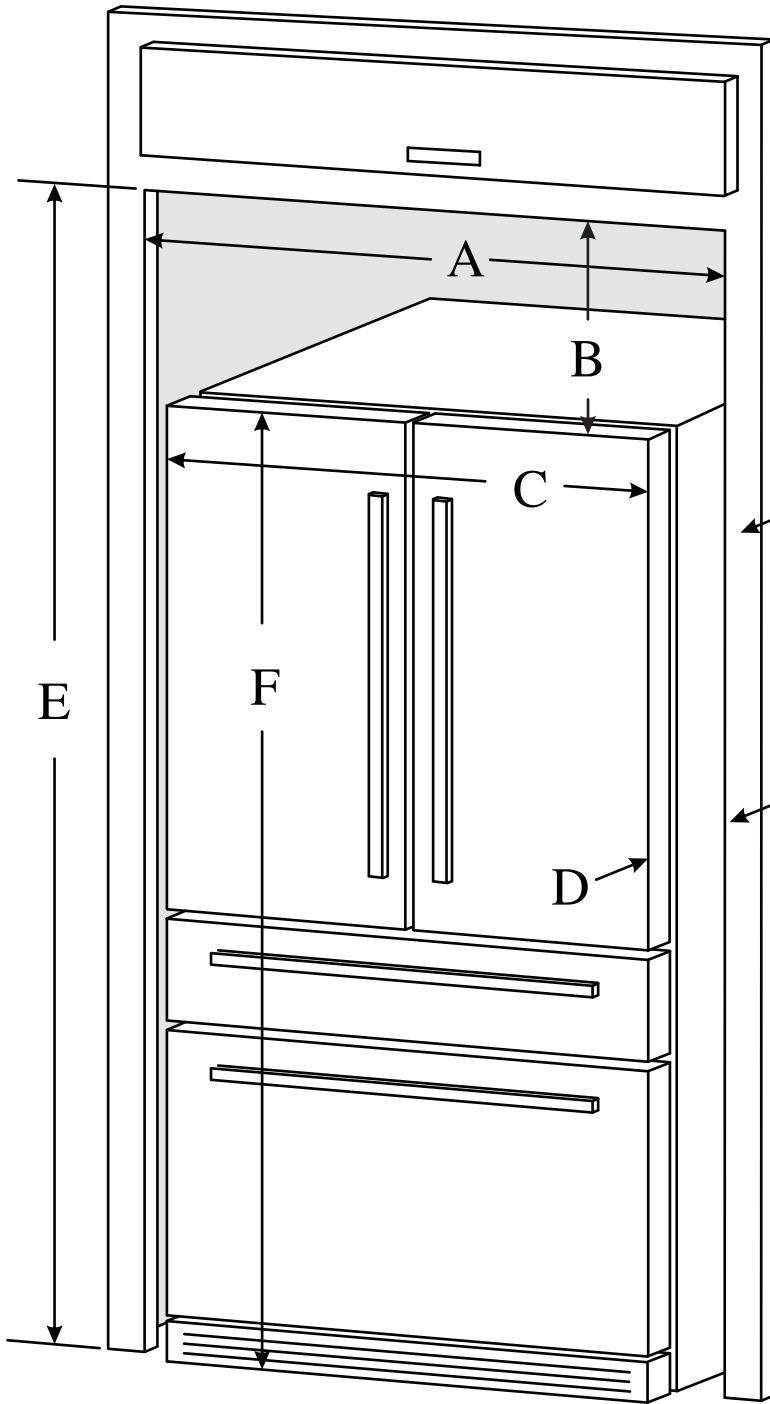
Fax: _____

Email: _____

Refrigerator Make: _____

Refrigerator Model: _____

REFRIGERATOR VENT
With Side Gaps



A _____

B _____

C _____

D _____

E _____

F _____

Cabinet Face

Measure from door front to cabinet face

NOTE: 36" Refrigerators typically do not measure 36", physical measurements are required.

NOTE: Measure B & F from top of refrigerator doors. B & F should equal E.

NOTE: Please be as accurate as possible when providing dimensions and provide as much information as possible.

Color: TRUE STAINLESS STEEL

Powder Coated Colors are available

Special Requests or Comments: _____
