

Company Name: _____

Salesman: _____

Job Name: _____

Phone: _____

Fax: _____

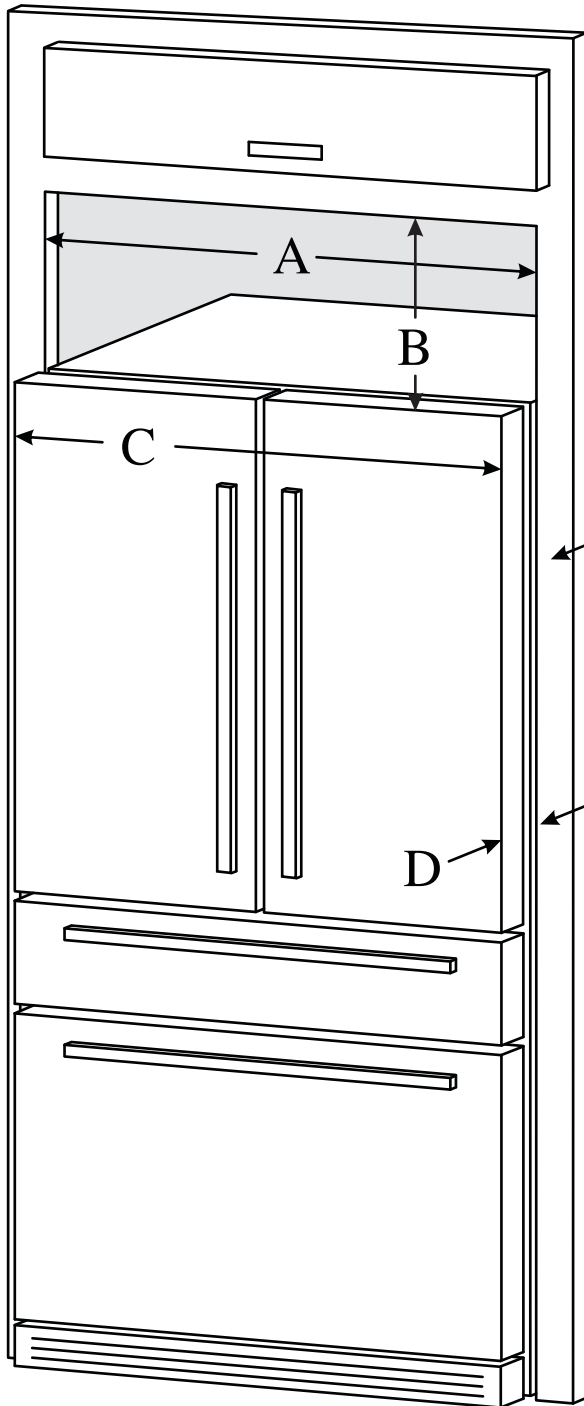
Email: _____

Refrigerator Make: _____

Refrigerator Model: _____

REFRIGERATOR VENT

No Side Gaps



Cabinet Face

Measure from door front to cabinet face

A _____

B _____

C _____

D _____

NOTE: 36" Refrigerators typically do not measure 36", physical measurements are required.

NOTE: Please be as accurate as possible when providing dimensions and provide as much information as possible.

Color: TRUE STAINLESS STEEL

Powder Coated Colors are available

Special Requests or Comments: _____
