

Company Name: \_\_\_\_\_

Salesman: \_\_\_\_\_

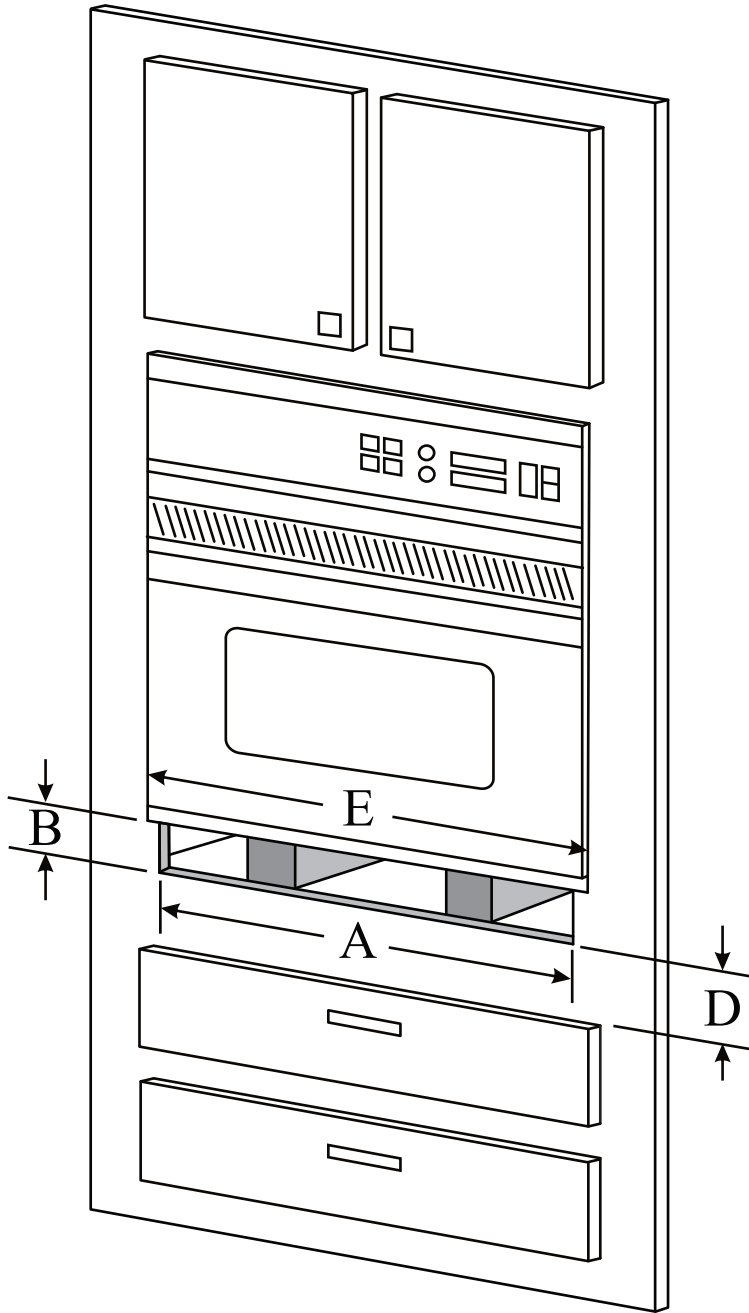
Job Name: \_\_\_\_\_

Phone #: \_\_\_\_\_

Fax: \_\_\_\_\_

Email: \_\_\_\_\_

**OVEN FILLER**



Oven Make: \_\_\_\_\_

Oven Model: \_\_\_\_\_

A \_\_\_\_\_

B \_\_\_\_\_

D \_\_\_\_\_

E \_\_\_\_\_

**NOTE:** Please be accurate when providing dimensions and provide as much information as possible

**Color:**

STAINLESS FINISH (ANODIZED, BRUSHED ALUMINUM)	<input type="checkbox"/>	WHITE	<input type="checkbox"/>
TRUE STAINLESS STEEL	<input type="checkbox"/>	BLACK	<input type="checkbox"/>

**Special Requests or Comments:** \_\_\_\_\_

\_\_\_\_\_

\_\_\_\_\_

\_\_\_\_\_